

4

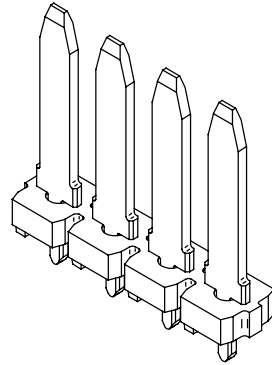
3

2

1

NOTES: UNLESS OTHERWISE SPECIFIED

- 1. INTERPRET DRAWING IN ACCORDANCE WITH ANSI Y14.5-1982.
- 2. SUPPLIED IN REEL FORM AND CUT TO LENGTH. AUTOSPLICE PART NO. IS FOR AN INDIVIDUAL POSITION. 4,000 TABS PER AUTOHEADER REEL. FEEDER COMPATIBLE SPLICES PERMITTED, 2 SPLICES MAX PER REEL.
- 3. .003 [0.08] BLANKING BURR ON TAB.
- 4. DIMENSIONS INDICATED ARE TO BE MEASURED WITH INSULATOR RESTRAINED FLAT ON DATUMS F & G OVER 4 POSITIONS.
- 5. FEEDER CUTOFF FROM CONTINUOUS STRIP.
- 6. FINISH THICKNESS TO BE INSPECTED BETWEEN .250 [6.35] MIN & .350 [8.89] MAX AS INDICATED.



**PART NO. / ORDERING CODE**

23-1035 T 00 A1 AA

**TYPE**  
1 ROW .207 [5.25] CENTERS

**TAB SIZE/SHAPE**

**SIZE / RECTANGULAR**  
.0315 X .110 [0.80] [2.80]

**FINISH**  
.000120" [3.05 MICRONS] MIN. 90/10 TIN/LEAD OVER .000050" [1.27 MICRONS] MIN. NICKEL

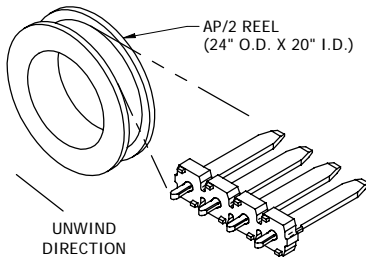
**DIMENSIONS**

A	B	C	D	REF
.534 [13.56]	.60 [15.2]	.11 [2.8]	.81 [20.5]	

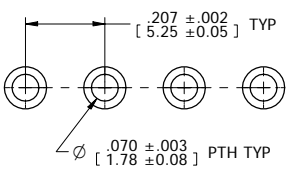
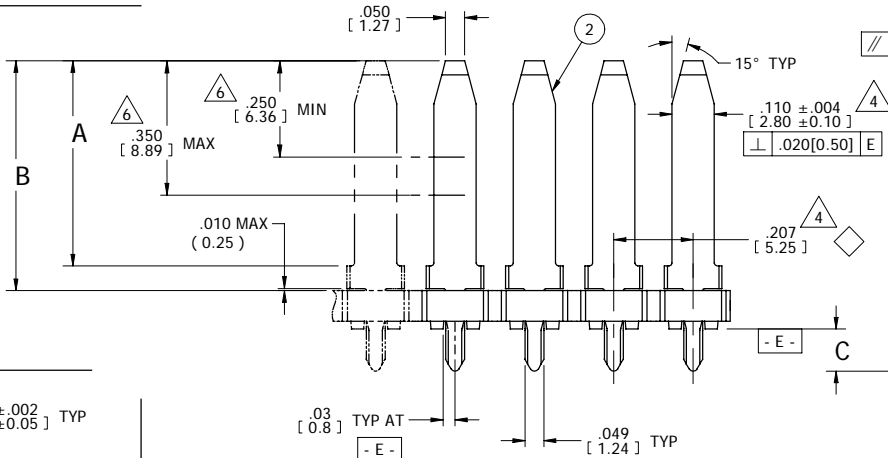
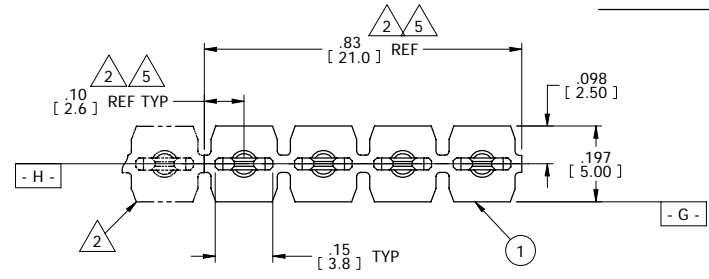
2 TOTAL NO. OF POS.  
CONTINUOUS REEL

CUSTOM DIMENSIONS ARE AVAILABLE UPON REQUEST TO FACTORY

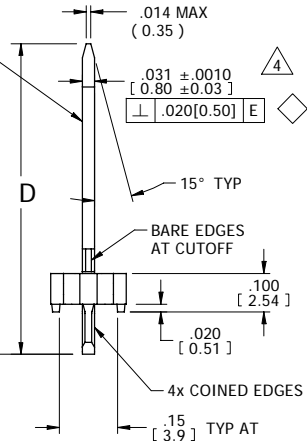
REV	REVISION RECORD	ECN	BY	APVD	DATE
A	INITIAL RELEASE	502056	Pete	PVB	03/26/02



REELED HEADER ORIENTATION



CUSTOMER PCB HOLE PATTERN  
SCALE: 4:1



- MATERIAL:**
- 1. **INSULATOR:**  
HIGH TEMPERATURE THERMOPLASTIC, FLAMMABILITY RATED: UL 94V-0, COLOR: BLACK
  - 2. **TAB:**  
BRASS C26000
- FINISH:**  
SEE PART NO. / ORDERING CODE

**CUSTOMER DRAWING**

**autosplICE**

TOLERANCES UNLESS OTHERWISE SPECIFIED DIMENSIONS IN INCHES (mm)

DECIMAL: XX = ± .012 [X.X] = ± [0.3] XXX = ± .005 [X.XX] = ± [0.13]

ANGULAR: ± 5°

DIAMETRIC CHARACTERISTIC

AutosplICE, Inc. 10121 Barnes Canyon Rd. San Diego, CA 92121-2725 858.535.0077

ENGINEERED BY: Pete PVB DATE: 5-10-01

TITLE: AUTOHEADER TAB .110, 5.25mm SP

SIZE: C DRAWING NUMBER: C23-1035T00A1AA

SCALE: 4:1 P&O NO: C23-1035.dft MODEL NO: 23-1035.asm SHEET 1 OF 1

4

3

2

1